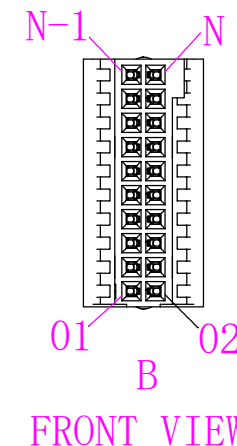
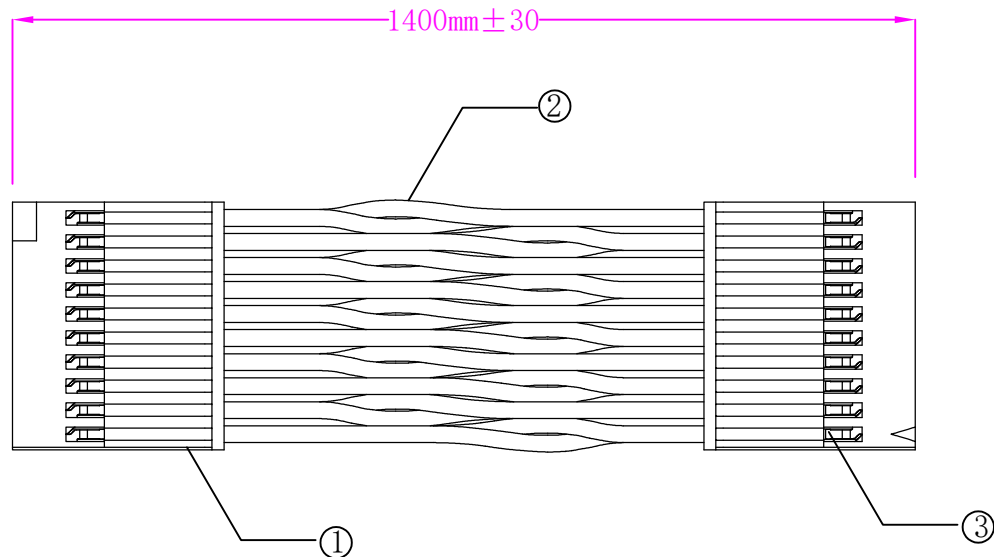
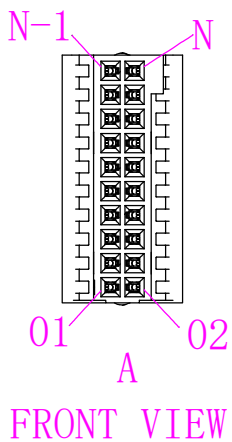
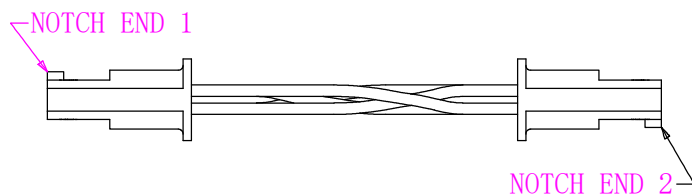


DO NOT SCALE FROM THIS PRINT



PIN ASSIGNMENT



-NDX
(END 2 NOTCH DOWN, CABLE CROSSED)

ITEM NO.	PART NUMBER	QUANTITY	MATERIAL
1	WI SDF-250M	2.0000	LCP UL94-V0 黑色耐高温塑料
2	28AWG线材, 长度1.4m	100.0000	镀锡铜, 符合 RoHS 环保规范
3	WC03R2830GF	200.0000	BeCu 镀铜, 料厚 0.0050 inch

UNLESS OTHERWISE SPECIFIED, DIMENSIONS ARE IN INCHES.

TOLERANCES ARE:

DECIMALS	ANGLES
.XX: ±.01[0.3]	2°
.XXX: ±.005[0.13]	
.XXXX: ±.0020[0.051]	

DO NOT SCALE DRAWING SHEET SCALE:4:1

PLATING:
CONTACT AREA: .00030 GOLD OVER .00050 NICKEL
REMAINDER: .000200 REF TIN OVER .00050 NICKEL

PROPRIETARY NOTE

THIS DOCUMENT CONTAINS CONFIDENTIAL AND PROPRIETARY INFORMATION AND ALL DESIGN, MANUFACTURING, REPRODUCTION, USE, PATENT RIGHTS AND SALES RIGHTS ARE EXPRESSLY RESERVED BY WORLDPO INC. THIS DOCUMENT SHALL NOT BE DISCLOSED, IN WHOLE OR PART, TO ANY UNAUTHORIZED PERSON OR ENTITY NOR REPRODUCED, TRANSFERRED OR INCORPORATED IN ANY OTHER PROJECT IN ANY MANNER WITHOUT THE EXPRESS WRITTEN CONSENT OF WORLDPO, INC.

DESCRIPTION:
.050 PITCH SOCKET ARRAY ASSEMBLY

DWG. NO.
WSFSDT-250A28G140.00DNDX

BY: LIU YANG 2026/7/8 SHEET 1 OF 1