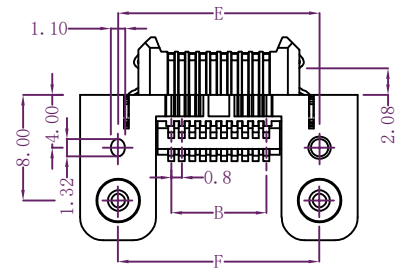
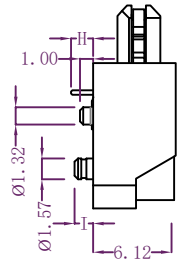
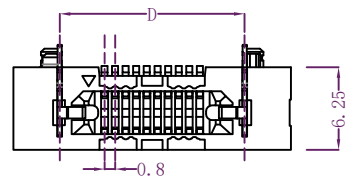
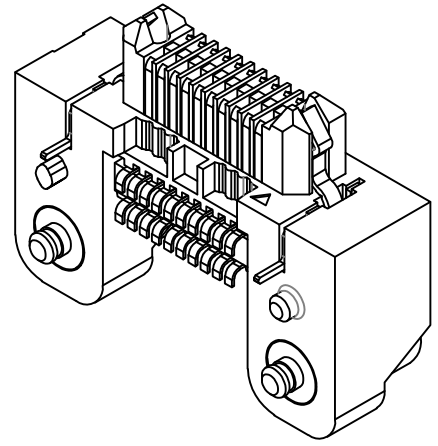
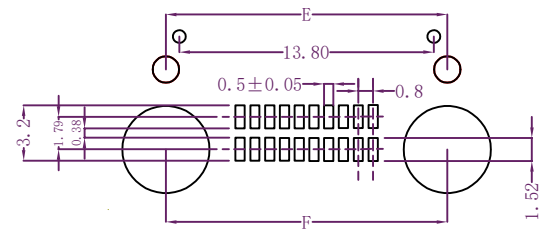


SPECIFICATIONS
 1. OPERATING TEMP RANGE: -55 °C to +125 °C
 2. VOLTAGE RATING: 225 VAC/ 318 VDC
 3. CURRENT RATING: 2.2 A
 4. HIGH-SPEED CHANNEL PERFORMANCE 28Gbps



LEAD STYLE	H	I
-01	1.68	1.40
-03	2.46	2.19

POSITION	A		B		C		D		E		F	
	NON-LATCHING	LATCHING	NON-LATCHING	LATCHING	NON-LATCHING	LATCHING	NON-LATCHING	LATCHING	NON-LATCHING	LATCHING	NON-LATCHING	LATCHING
10	21.00	7.20	12.90	14.00	14.05	15.25	15.25					
11	21.80	8.00	13.70	14.80	14.85	16.05	16.05					
13	23.40	9.60	15.30	16.40	16.45	17.65	17.65					
20	29.00	15.20	20.90	22.00	22.05	23.25	23.25					
25	33.00	19.20	24.90	26.00	26.05	27.25	27.25					
30	37.00	23.20	28.90	30.00	30.05	31.25	31.25					
37	42.60	28.80	34.50	35.60	35.65	36.85	36.85					
40	45.00	31.20	36.90	38.00	38.05	39.25	39.25					
49	52.20	38.40	44.10	45.20	45.25	46.45	46.45					
50	53.00	39.20	44.90	46.00	46.05	47.25	47.25					
60	61.00	47.20	52.90	54.00	54.05	55.25	55.25					
70	69.00	55.20	60.90	62.00	62.05	63.25	63.25					
75	73.00	59.20	64.90	66.00	66.05	67.25	67.25					



**Recommended pc board pattern
(TOP VIEW)**

MATED HEIGHT		
ERM8-DV LEAD STYLE	ERM8-RA LEADS TYLE	
	-01	
	K	J
5.0	5.71mm	16.41mm
7.0	7.63mm	18.33mm
9.0	9.71mm	20.41mm
10.0	10.71mm	21.41mm

沃德披欧连接器® 深圳市沃德披欧精密器件有限公司
WORLDPO Shenzhen WorldPO Precision Device Co. Ltd

www.worldpo.com

修订	修改摘要 REVISION DESCRIPTION	签名 SIGNATURE	日期 DATE
----	------------------------------	-----------------	------------

一般公差
 GENERAL TOLERANCE
 .X ±0.35
 .XXX ±0.25
 .XXX ±0.10
 ANGLES ±1°
 版本 A
 (REV)

制图(DR): 刘洋 2026/7/3	品名(TITLE): ERM8 0.8 PITCH BTB PLUG		
审核(CHKD):	料号(PART NO): WERM8-2X10H01LDRALTR		
比例(SCALE): 1:1	单位(UNITS): MM	张数(SHEET): 1 OF 1	图幅(SIZE): A4