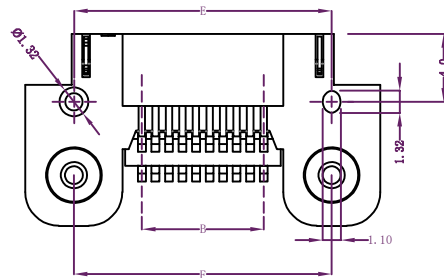
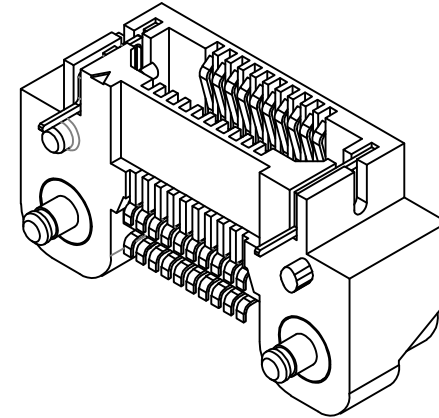
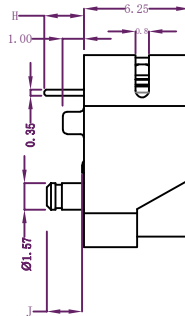
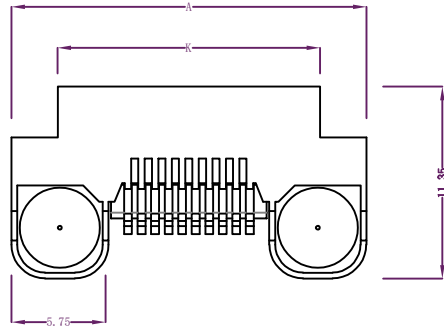
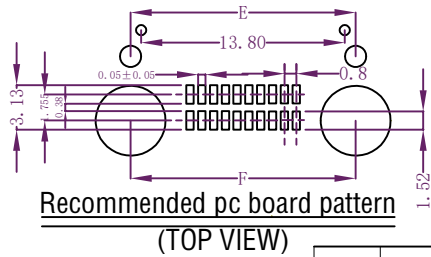


- SPECIFICATIONS**
1. OPERATING TEMP RANGE: -55 °C to +125 °C
 2. VOLTAGE RATING: 225 VAC/ 318 VDC
 3. CURRENT RATING: 2.2 A
 4. HIGH-SPEED CHANNEL PERFORMANCE 28Gbps



OPTOON	STYLE	H	J
NONE-EGP (SEE NOTE 9)	-1.0	1.55	1.40
	-3.0	2.34	2.19
-L	-1.0	1.55	1.40
	-3.0	2.34	2.19

POSITION	A	B	C	D	E	F	K
10	21.00	7.20	12.54	13.80	15.25	15.25	15.5
11	21.80	8.00	13.34	14.60	16.05	16.05	16.3
13	23.40	9.60	14.94	16.20	17.65	17.65	17.9
20	29.00	15.20	20.54	21.80	23.25	23.25	23.5
25	33.00	19.20	24.54	25.80	27.25	27.25	27.5
30	37.00	23.20	28.54	29.80	31.25	31.25	31.5
37	42.60	28.80	34.14	35.40	36.85	36.85	37.1
40	45.00	31.20	36.54	37.80	39.25	39.25	39.5
49	52.20	38.40	43.74	45.00	46.45	46.45	46.7
50	53.00	39.20	44.54	45.80	47.25	47.25	47.5
53	55.40	41.60	46.94	48.20	49.65	49.65	49.9
60	61.00	47.20	52.54	53.80	55.25	55.25	55.5
70	69.00	55.20	60.54	61.80	63.25	63.25	63.5
75	73.00	59.20	64.54	65.80	67.25	67.25	67.5



MATED HEIGHT		
ERM8-DV	ERF8-RA	LEADS TYLE
LEAD	-01	
STYLE	H1	H2
2.0	1.98mm	13.03mm
3.0	2.98mm	14.03mm
5.0	4.98mm	16.03mm
8.0	7.98mm	19.03mm
9.0	8.98mm	20.03mm

WORLDPO 沃德披欧连接器® 深圳市沃德披欧精密器件有限公司
Shenzhen WorldPO Precision Device Co. Ltd

www.worldpo.com

修订	修改摘要 REVISION DESCRIPTION	签名 SIGNATURE	日期 DATE
----	------------------------------	-----------------	------------

一般公差 GENERAL TOLERANCE	刘洋 2026/7/4
.X ±0.35	制图(DR):
.XXX ±0.25	品名(TITLE): ERF8 0.8 PITCH BTB PLUG
.XXX ±0.10	审核(CHKD):
ANGLES ±1°	料号(PART NO): WERF8-2X10H03LDRALTR
版本 A	比例(SCALE): 1:1
(REV)	单位(UNITS): MM
	张数(SHEET): 1 OF 1
	图幅(SIZE): A4

比例(SCALE): 1:1	单位(UNITS): MM	张数(SHEET): 1 OF 1	图幅(SIZE): A4
----------------	---------------	-------------------	--------------